

## ZARF45130-L-TV

Needle roller/axial cylindrical roller bearing

Schaeffler ID:  
0016831360000

Needle roller/axial cylindrical roller bearings ZARF...-L, double direction, for screw mounting, long shaft locating washer

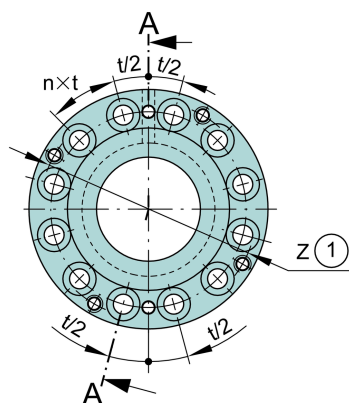
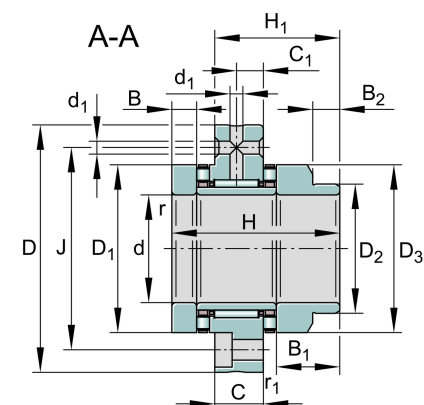
### Technical information

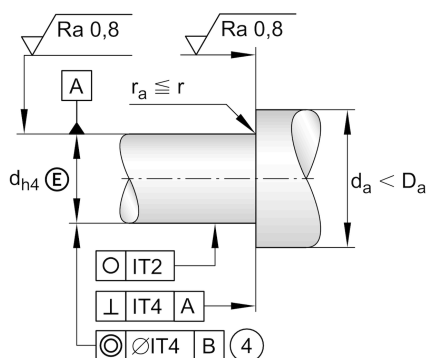
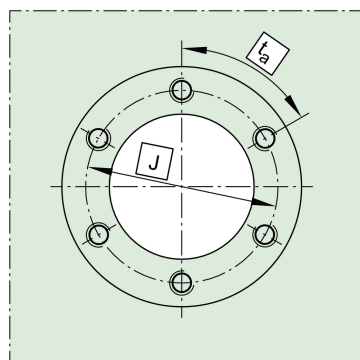
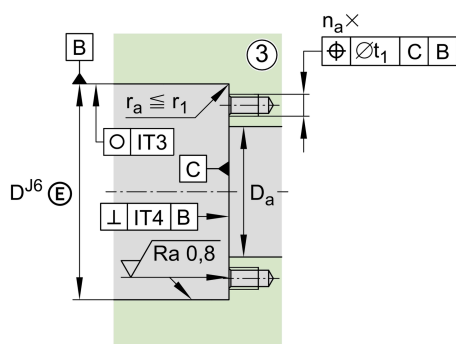
#### Main Dimensions & Performance Data

d	45 mm	Bore diameter
D	130 mm	Outside diameter
H	103 mm	Height
$C_a$	154.000 N	Basic dynamic load rating, axial
$C_{0a}$	405.000 N	Basic static load rating, axial
$C_r$	40.000 N	Basic dynamic load rating, radial
$C_{0r}$	82.000 N	Basic static load rating, radial
$C_{ua}$	37.500 N	Fatigue load limit, axial
$C_{ur}$	11.500 N	Fatigue load limit, radial
$n_{G\text{ Oil}}$	3.300 1/min	Limiting speed for oil lubrication
$n_{G\text{ Grease}}$	1.150 1/min	Limiting speed for grease lubrication
$M_{RL}$	3,5 Nm	Bearing friction torque
	3,898 kg	Weight

#### Mounting dimensions

$D_{a\text{ max}}$	91 mm	Maximum diameter of housing shoulder
$d_{a\text{ min}}$	68 mm	Minimum diameter shaft shoulder





## Dimensions

$H_1$	72 mm	Height outer ring over wave washer
$C$	22,5 mm	Width, outer ring
$C_1$	12,5 mm	Distance to lubrication hole
$D_1$	90 mm	Rip diameter shaft washer
$D_2$	70 mm	Heeldiameter wave washer long
$D_3$	88 mm	Outside diameter wave washer long
$B$	17,5 mm	Width, wave washer
$B_1$	38,5 mm	Width wave washer long
$B_2$	18 mm	Width heel wave washer long
$r_{min}$	0,3 mm	Minimum chamfer dimension
$r_{1 min}$	0,6 mm	Minimum chamfer dimension 1
$d_1$	6 mm	Diameter lubrication hole
$J$	105 mm	Pitch circle diameter (holes)
$n$	12	Number (screwing holes)
$n \times t$	30 °	Split

## Temperature range

$T_{min}$	-30 °C	Operating temperature min.
$T_{max}$	120 °C	Operating temperature max.

## Additional information

$c_{aL}$	4.000 N/ $\mu$ m	Rigidity axial
$c_{kL}$	2.100 Nm/mrad	Tilting stiffness
$M_m$	28,1 kg*cm <sup>2</sup>	Mass moment of inertia
	1 $\mu$ m	Axial runout
radial	ZMA45/85	Recommended INA precision locknut for radial locking (not included)
axial	AM45	Recommended INA precision locknut for axial locking (not included)
$M_A$	150 Nm	Tightening torque nut
	33.549 N	Required locknut force
	70X90X10	Rotary shaft seal to DIN 3760 (not included)
	M8	Size fixing screws DIN EN ISO 4762 10.9 (not included)
$n_a$	12	Number of screws
$na \times ta$	30 °	Division (screwing holes)